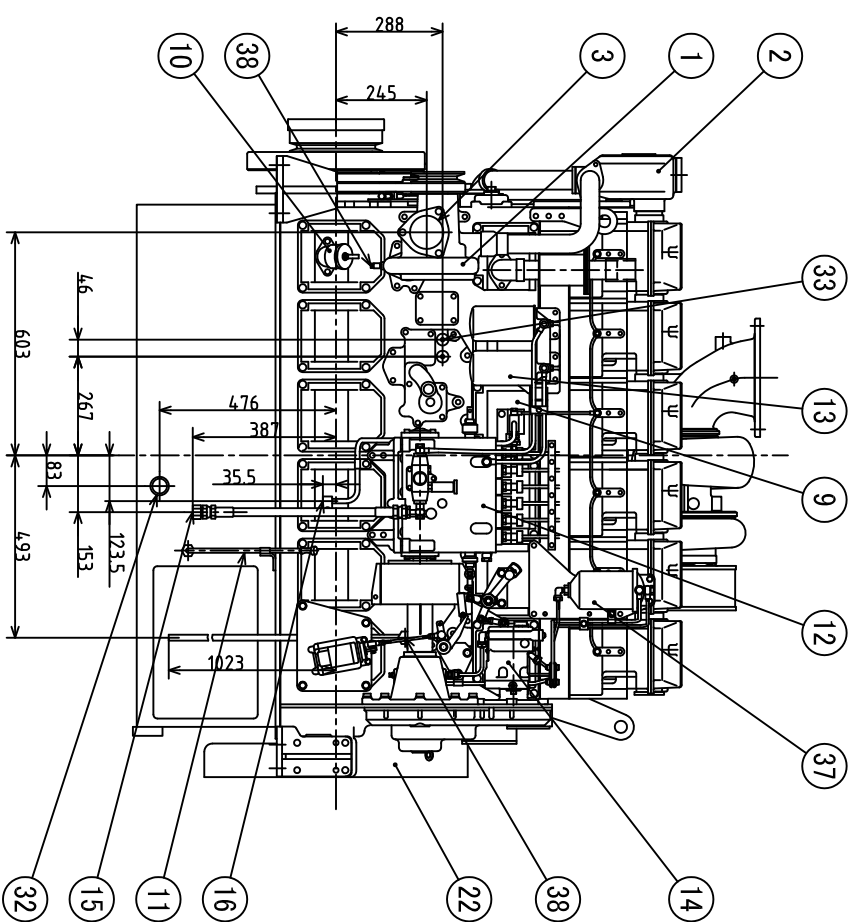
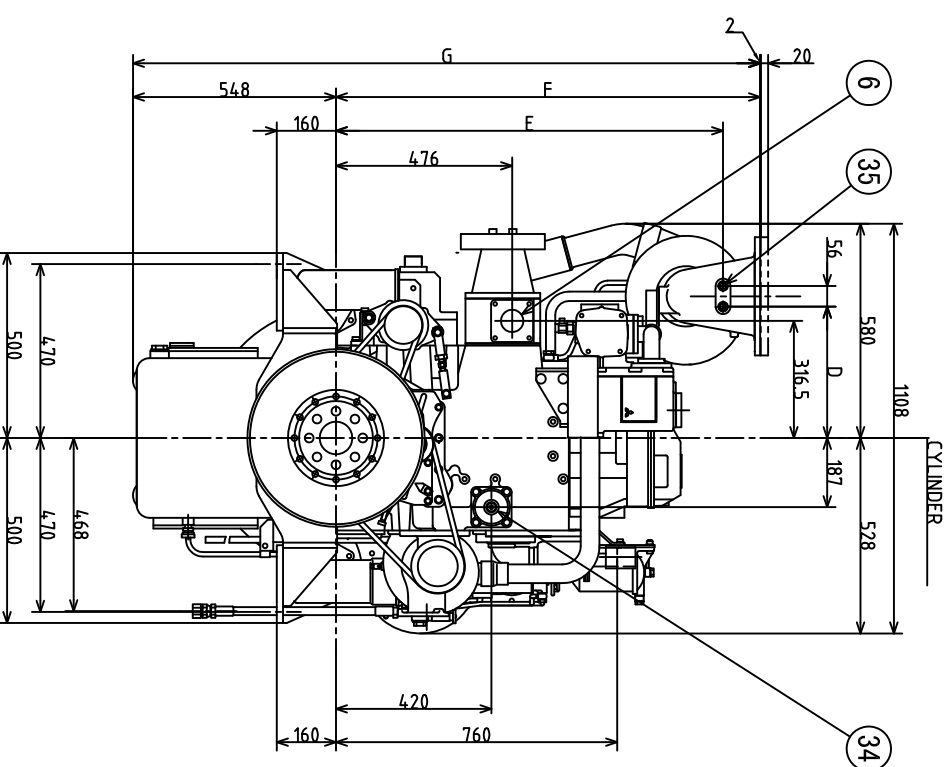
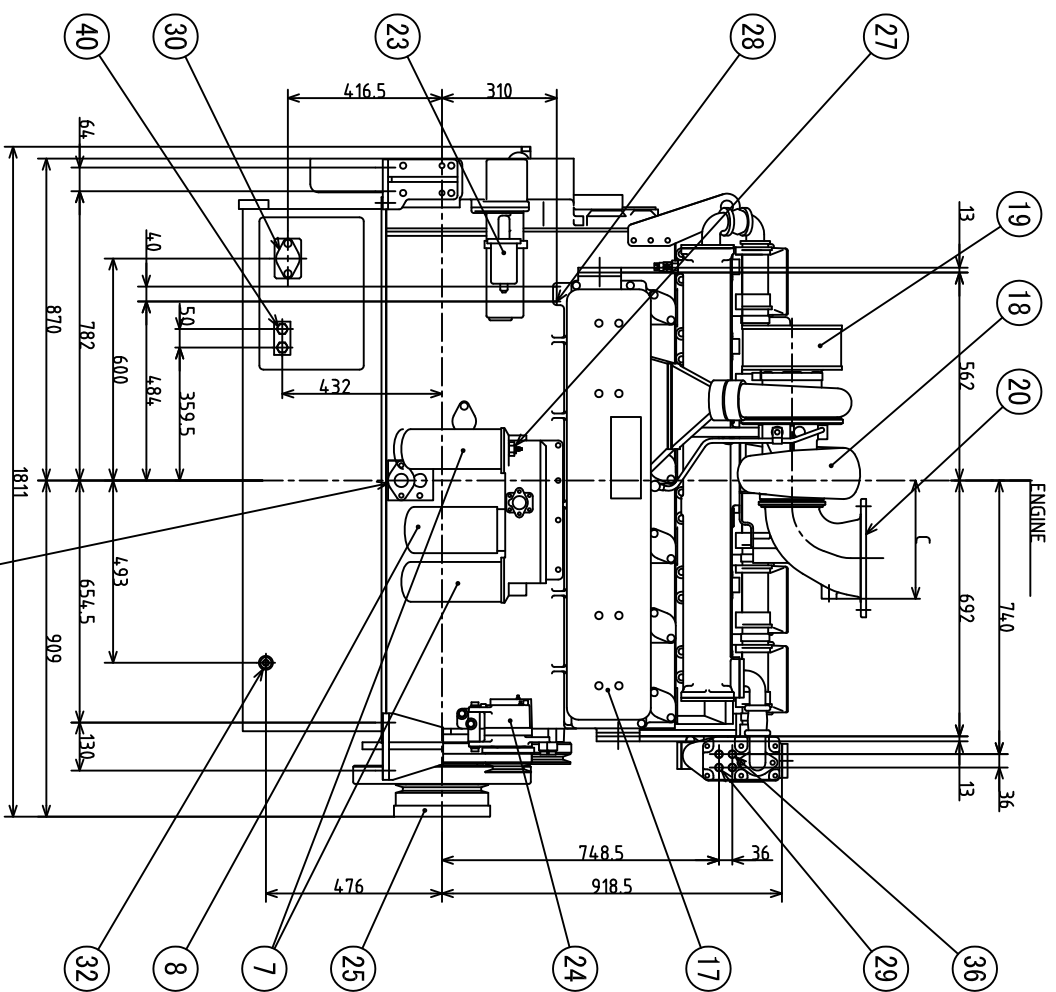


NO.	PARTS NAME	SIZE	REFERENCE
37	OIL FILTER TANK(FOR GOVERNOR)		
38	FRESH WATER DRAIN COCK		45R96-0100
39	OIL INLET (FOR EMERGENCY)		45R96-0100
40	OIL PAN ADAPTER(D)		45R96-0100

DIAPHRAGM TYPE	TD13	TF15
A	365	383
B	465.5	210
C	275.5	320
D	337	355
E	1039	1046
F	1139	1146
G	1687	1694

NO.	PARTS NAME	SIZE	REFERENCE
1	WATER PUMP		
2	THERMOSTAT		
3	FRESH WATER INLET	ø99.1	45R96-01005
4	FRESH WATER OUTLET	ø60.5	↓
5	SEA WATER INLET	ø60.5	↓
6	SEA WATER OUTLET	ø60.5	45R96-01005
7	OIL FILTER		
8	OIL BY-PASS FILTER		
9	OIL COOLER		
10	OIL FILLER		
11	OIL LEVEL GAGE		
12	FUEL INJECTION PUMP		
13	FUEL FILTER		
14	GOVERNOR		
15	FUEL PIPE JOINT		45R96-01005
16	FUEL RETURN PIPE		45R96-01005
17	INTER COOLER		
18	TURBOCHARGER		
19	INTAKE AIR SILENCER		
20	EXHAUST GAS OUTLET	ø216.3	45R96-01005
21	MST GAS OUTLET	ø50.8	45R96-21000
22	FLYWHEEL HOUSING		
23	STARTER		
24	DYNAMO		
25	FRONT P.T.O. PULLEY		
26	HOUR METER		HSX0.8
27	FILTER ALARM		45R96-01005
28	BOOST GAGE ADAPTER		Rd/8
29	THERMOSWITCH ADAPTER		Rd/2
30	OIL PAN ADAPTER(A)		
31	OIL PAN ADAPTER(B)		H36X15
32	OIL PAN ADAPTER(C)		H36X15
33	PRESS SWITCH ADAPTER		Rd/8
34	TACHOMETER ADAPTER		
35	THERMOMETER ADAPTER		PS3/4
36	THERMOMETER UNIT ADAPTER		H36X15 45R96-01005



" PRELIMINARY - FOR REFERENCE ONLY "

No.	Date	Description of change
1	05-01-2012	GENERAL VIEW S6R2-T2MPTK
2	06-01-2012	

Type: R14888ED
 Code: S.C0234
 Date: 05-01-2012
 Scale: 1:1
 Material: AL
 Drawing number: 45R96-00306
 Sheet No: 1/1