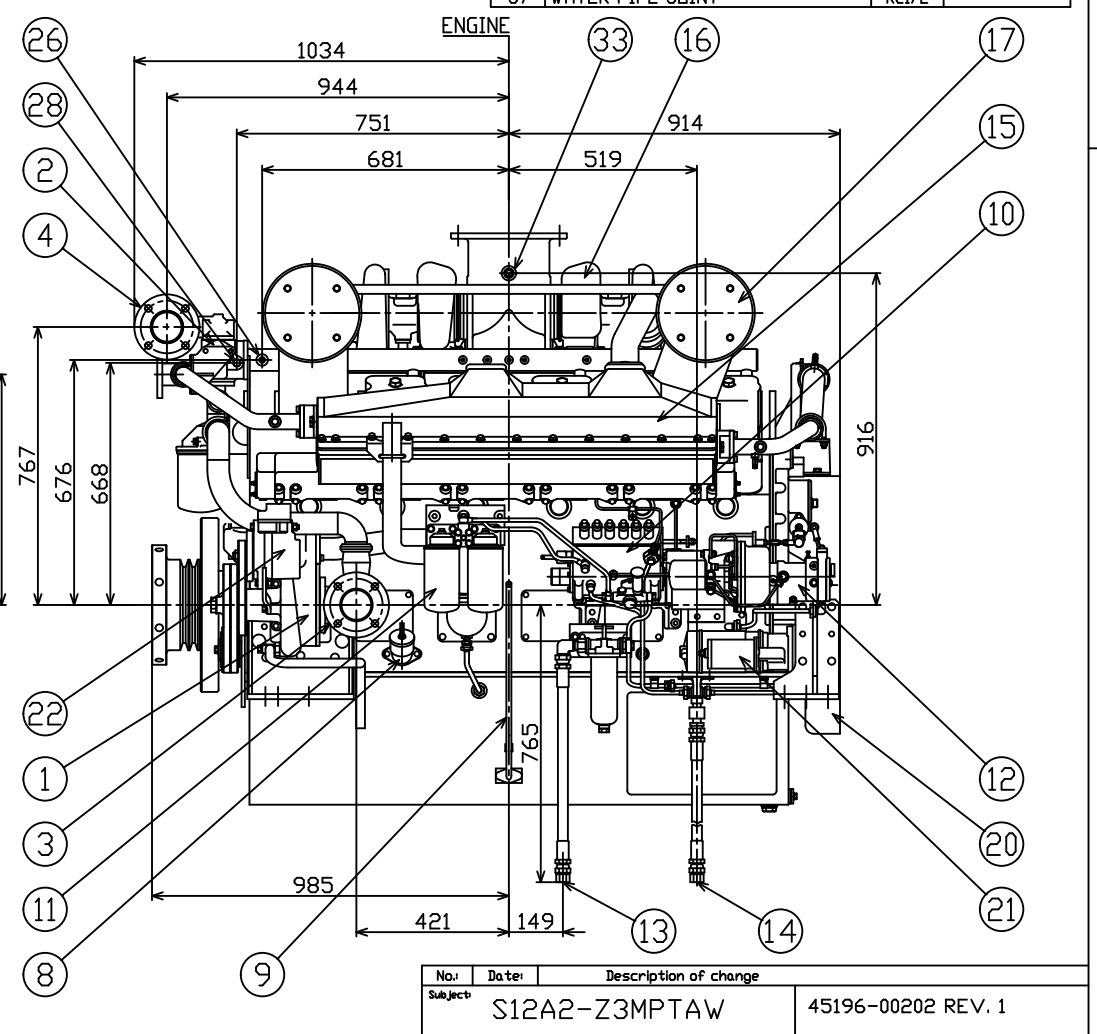
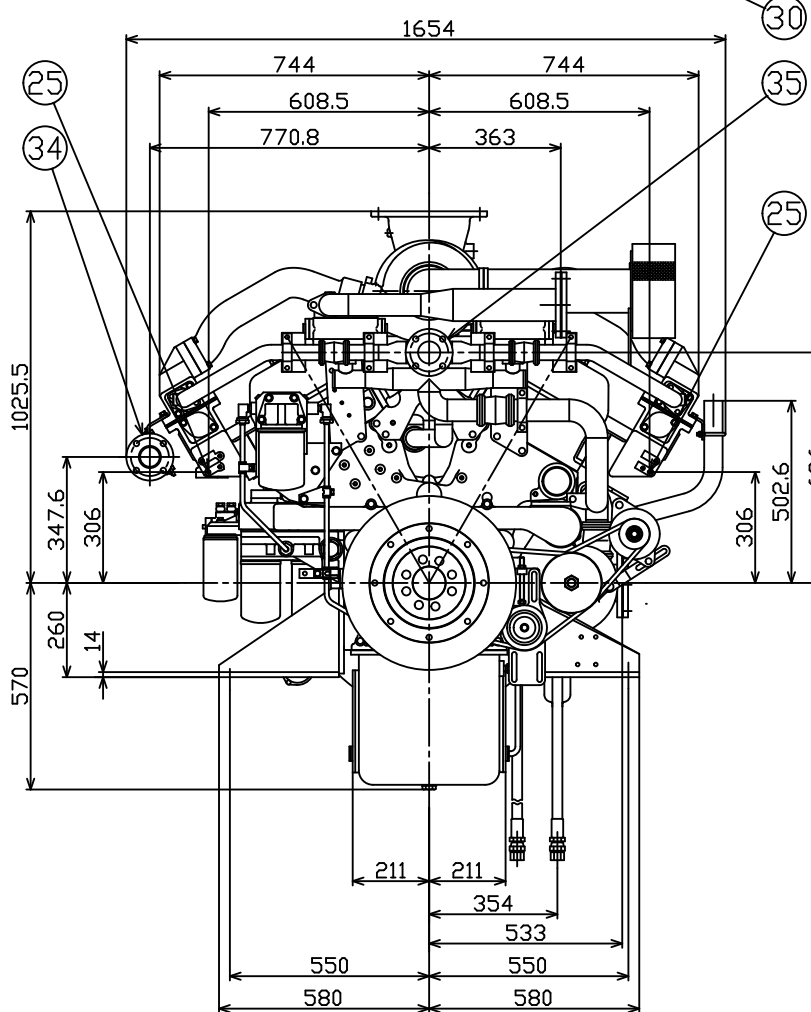
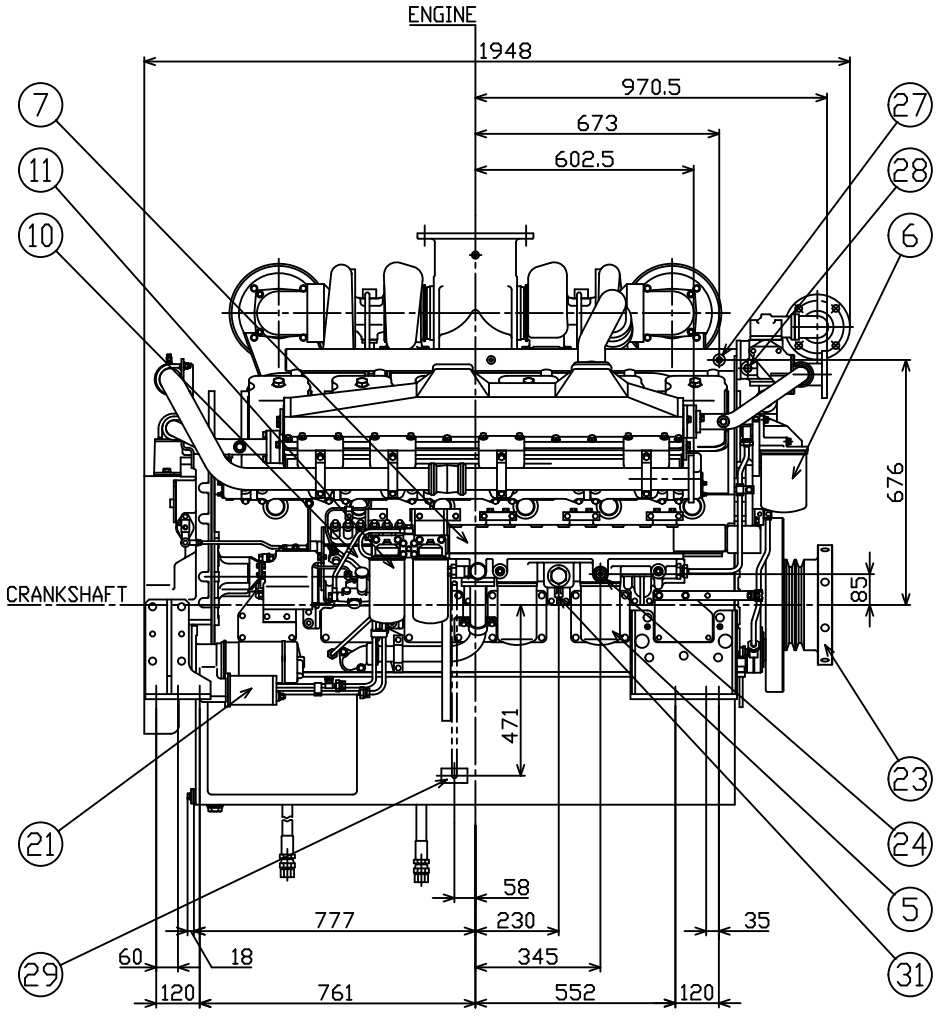
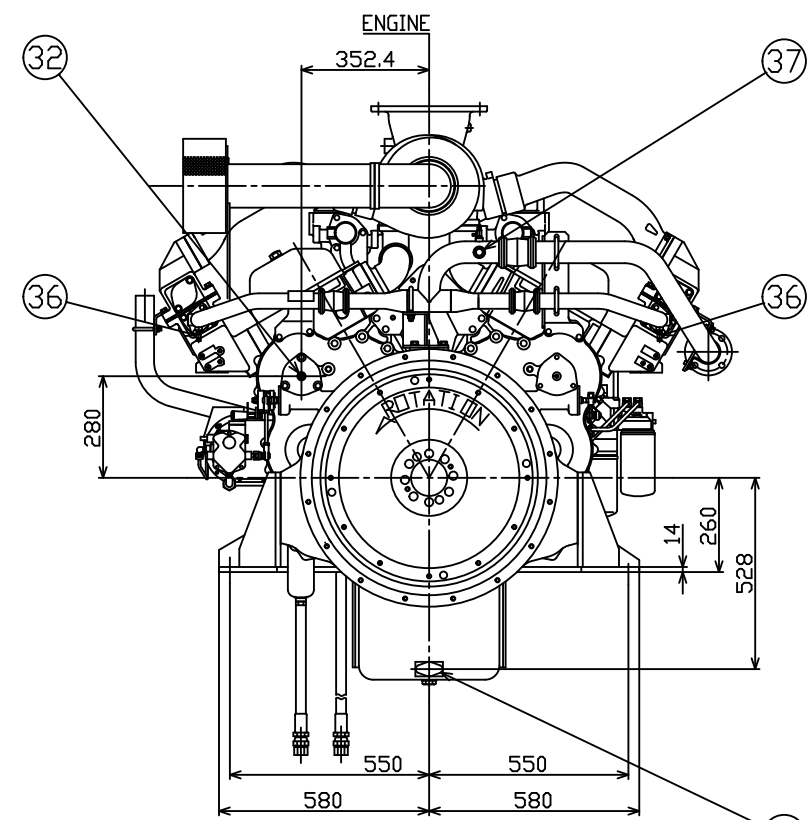
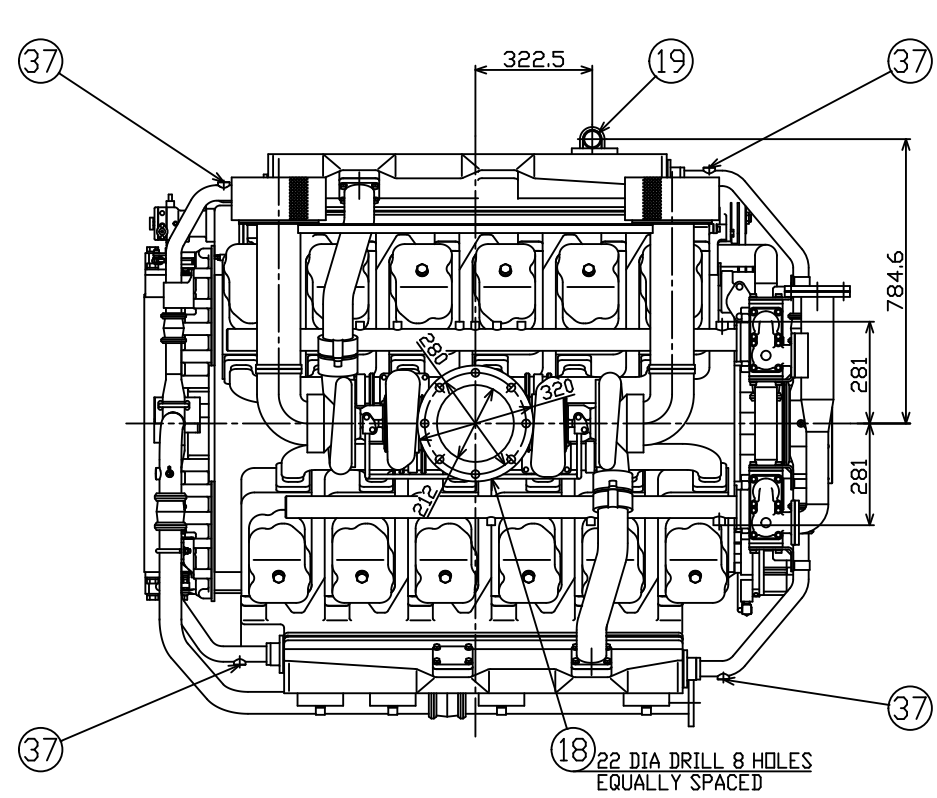


Pos No.	Quantity	Description	Type	Material
NO.		PARTS NAME	SIZE	REFERENCE
1		WATER PUMP		
2		THERMOSTAT		
3		FRESH WATER INLET	Ø89.1	45196-01010
4		FRESH WATER OUTLET	Ø89.1	45196-01010
5		OIL FILTER		
6		OIL BY-PASS FILTER		
7		OIL COOLER		
8		OIL FILLER		
9		OIL LEVEL GAGE		
10		FUEL INJECTION PUMP		
11		FUEL FILTER		
12		GOVERNOR		
13		FUEL PIPE JOINT	Rc3/4	45196-01010
14		FUEL LEAK-OFF PIPE JOINT	Rc3/4	45196-01010
15		AIR COOLER		
16		TURBOCHARGER		
17		INTAKE AIR SILENCER		
18		EXHAUST GAS OUTLET	Ø216.3	
19		MIST GAS OUTLET	Ø50.8	45196-01010
20		FLYWHEEL & HOUSING		
21		STARTER		
22		ALTERNATOR		
23		PULLEY, CRANKSHAFT		
24		FILTER ALARM	M5xØ8	
25		BOOST GAGE ADAPTER	Rc1/8	
26		THERMOMETER ADAPTER	M16x1.5	45196-01010
27		THERMOMETER ADAPTER	M16x1.5	
28		THERMOMETER ADAPTER	Rc1/2	
29		OIL PAN ADAPTER		
30		OIL PAN ADAPTER		
31		OIL PRESS. GAGE & PRESS. SWITCH ADAPTER	Rc1/8	
32		TACHOMETER ADAPTER	M22x1.5	
33		THERMOMETER ADAPTER	Rp3/4	
34		FRESH WATER IN. (AIR COOLER)	Ø48.6	
35		FRESH WATER OUT. (AIR COOLER)	Ø48.6	45196-01010
36		WATER DRAIN COCK		
37		WATER PIPE JOINT	Rc1/2	



No.	Date:	Description of change		
Subject	S12A2-Z3MPTAW		45196-00202 REV. 1	
Type	Project No.	Scale	Filename	Rev.
Drawn R.VENTO	Checked M. VISSER	Scale: 1:10		A01
Date: 12-09-2012	Date: 12-09-2012	Size: A1	Drawing number:	Sheet No.
MHI EQUIPMENT EUROPE B. V.			A-00612-01	1/1
EUROPEAN SALES AND SERVICE SUBSIDIARY OF MITSUBISHI HEAVY INDUSTRIES LTD. - JAPAN			all rights reserved	