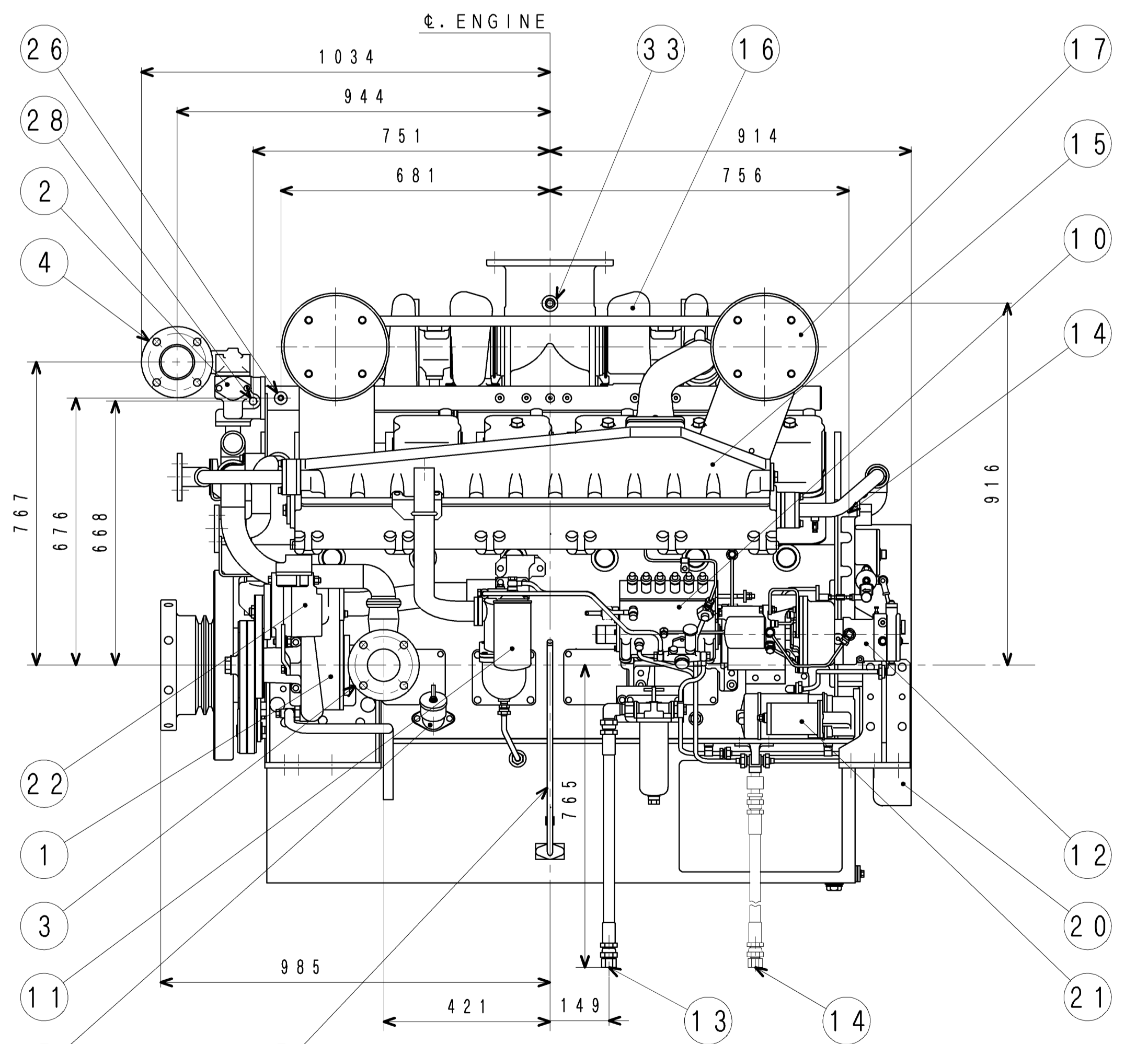
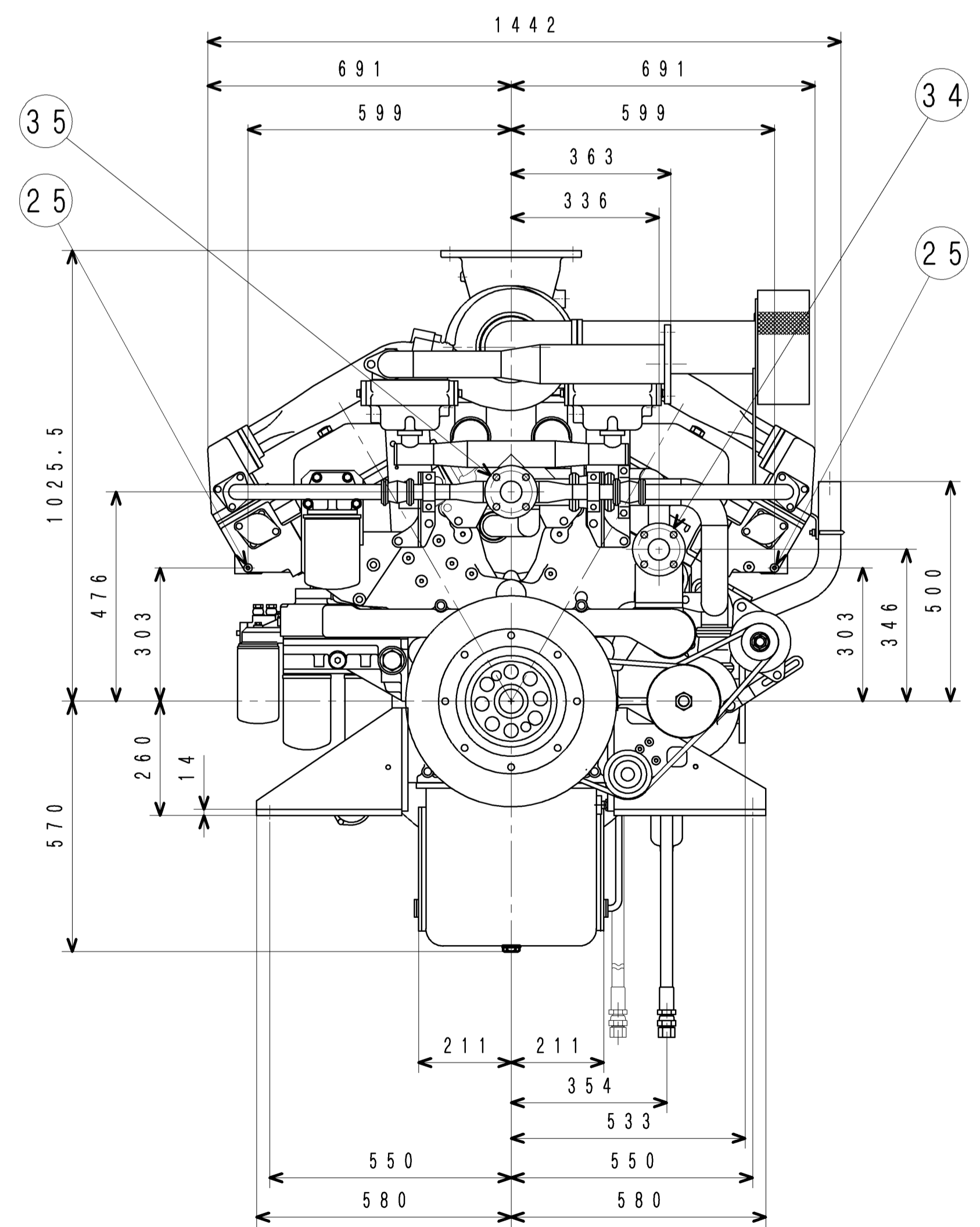
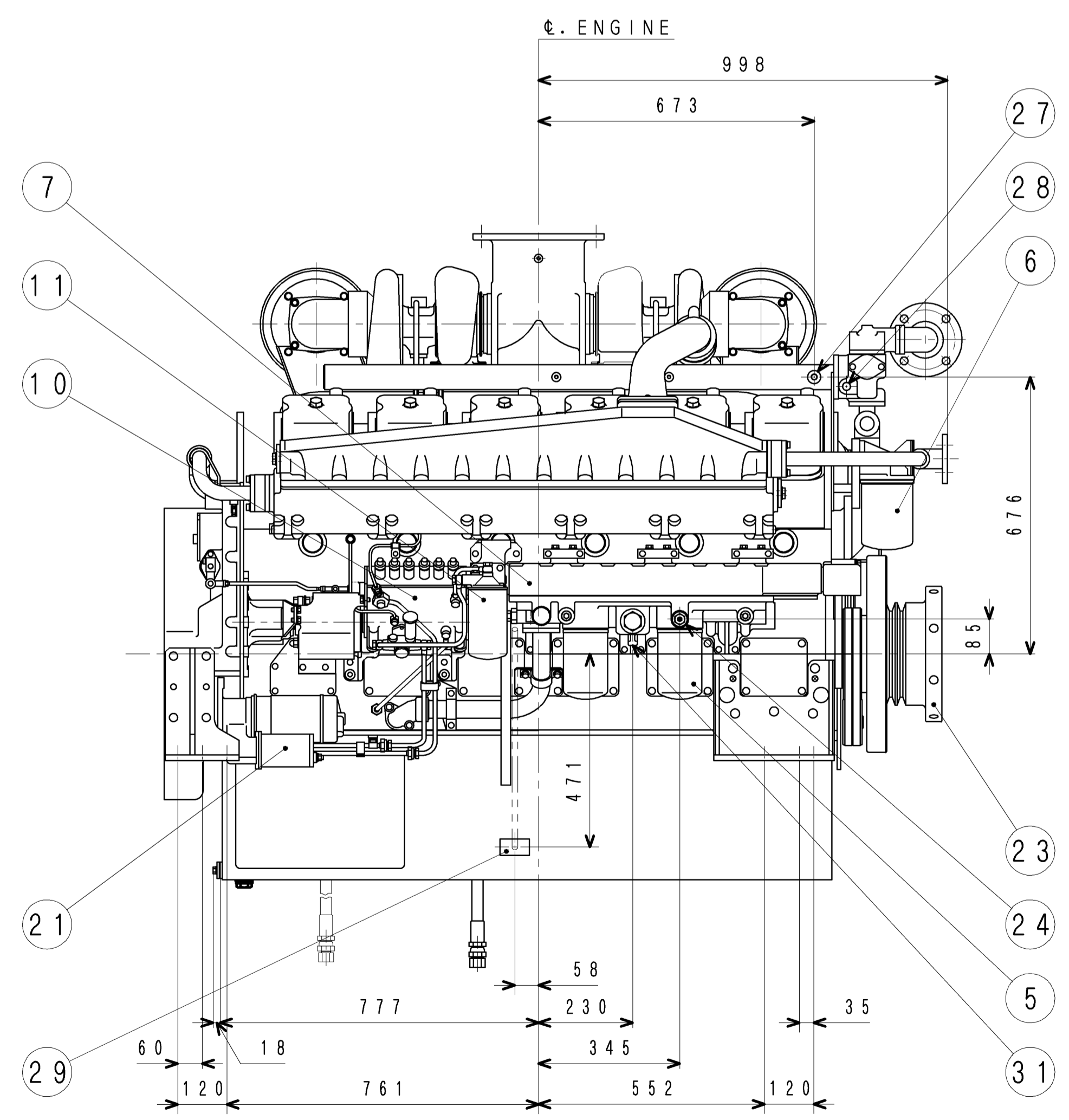
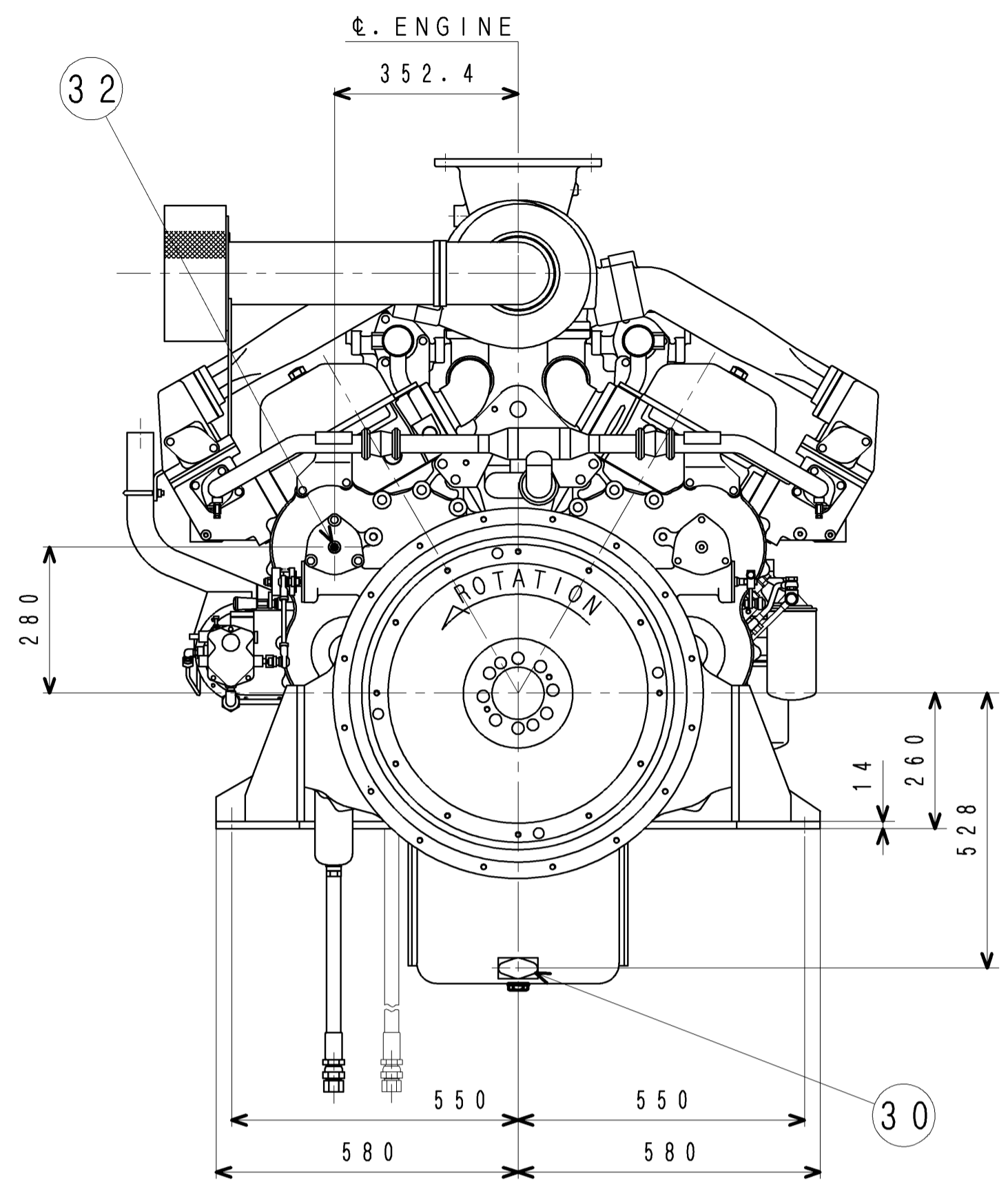
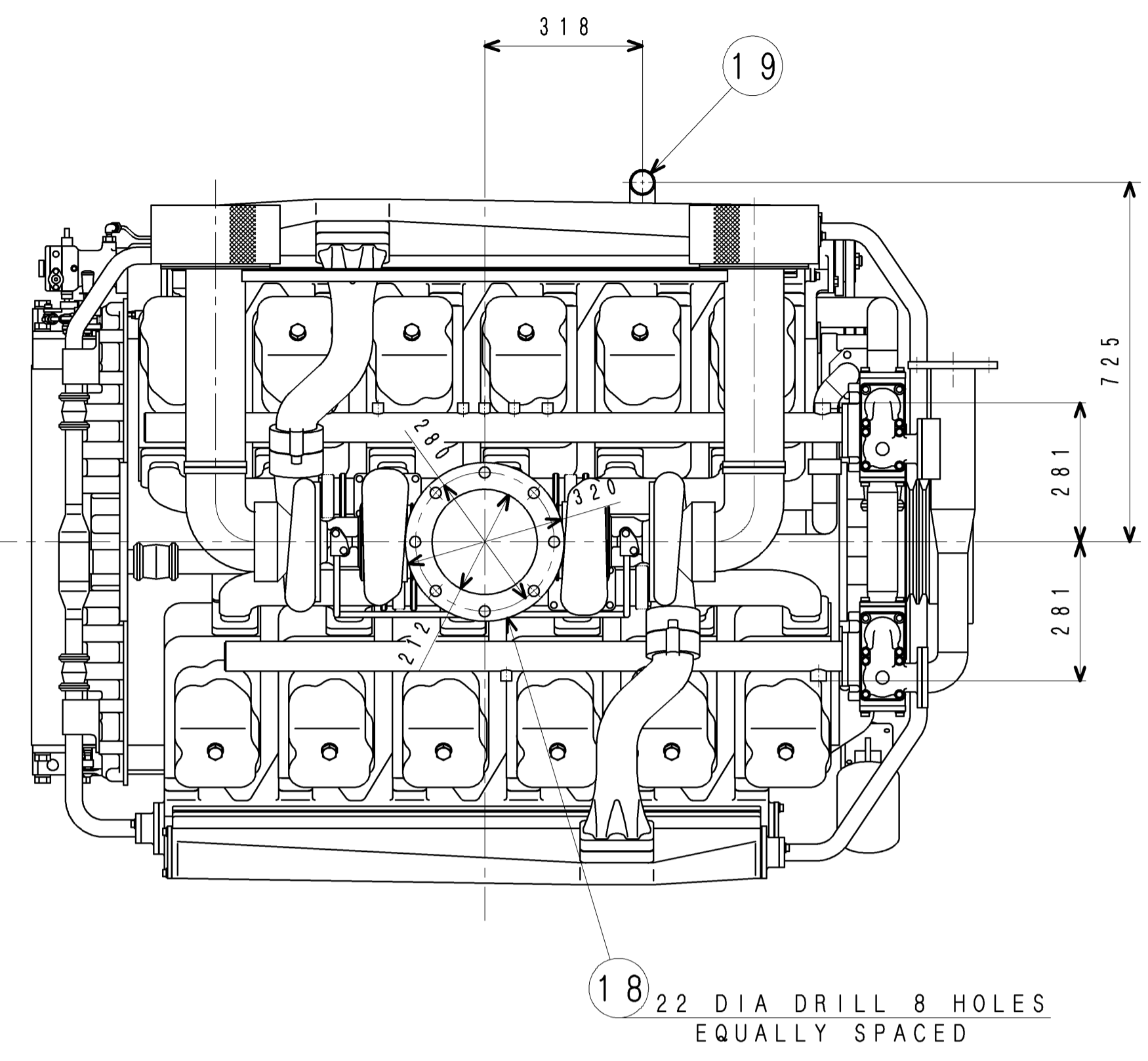


NO.	PARTS NAME	SIZE	REFERENCE
1	WATER PUMP		
2	THERMOSTAT		
3	FRESH WATER INLET	φ89.1	
4	FRESH WATER OUTLET	φ89.1	
5	OIL FILTER		
6	OIL BY-PASS FILTER		
7	OIL COOLER		
8	OIL FILLER		
9	OIL LEVEL GAGE		
10	FUEL INJECTION PUMP		
11	FUEL FILTER		
12	GOVERNOR		
13	FUEL PIPE JOINT	Rc3/4	
14	FUEL LEAK-OFF PIPE JOINT	φ6	
15	AIR COOLER		
16	TURBOCHARGER		
17	INTAKE AIR SILENCER		
18	EXHAUST GAS OUTLET	φ216.3	
19	MIST GAS OUTLET	φ50.8	
20	FLYWHEEL&HOUSING		
21	STARTER		
22	ALTERNATOR		
23	FRONT P.T.O. PULLEY		
24	FILTER ALARM	M5x0.8	
25	BOOST GAGE ADAPTER	Rc1/8	
26	THERMOMETER ADAPTER	M16X1.5	
27	THERMOMETER ADAPTER	M16X1.5	
28	THERMOMETER ADAPTER	Rc1/2	
29	OIL PAN ADAPTER		
30	OIL PAN ADAPTER		
31	OIL PRESS. GAGE & PRESS. SWITCH ADAPTER	Rc1/8	
32	TACHOMETER ADAPTER	M22X1.5	
33	THERMOMETER ADAPTER	Rp3/4	
34	FRESH WATER IN. (AIR COOLER)	40A	
35	FRESH WATER OUT. (AIR COOLER)	40A	



注記 (1) エアクーラー用の外部冷却水配管の出入口はエンジンフロント側

CHG	ED-NO	DATE	CHK	3/4	ANGLE PROJECTION
松	橋		橋		尺 1:10
下	福		谷		2007. 3. 2
	口		田		
	戸				

GENERAL VIEW
 S12A2-C2MPTK (FW)
 三菱重工業株式会社 汎用機・特車事業本部
 MITSUBISHI HEAVY INDUSTRIES, LTD. GENERAL MACHINERY & SPECIAL VEHICLE HEADQUARTERS.
 図面番号 45196-00302
 DRAWING NO. 45196-00302

出図
汎特
2007
3.30

FULL-CAD